

Simplex® 6200 Series

Light Commercial/Residential Locks

Mechanical Features

Construction:	All metal; cast front housing; force-proof clutch-protected exterior thumbturn; interior reinforcing plate with brass trim plate; fixed wrought brass interior knob
Installation:	ASA 161 door preparation with additional feature holes; 2 1/8" (54 mm) diameter through bore for housing; 1" (25 mm) diameter cross bore for latch; 2 x 1/4" holes for mounting bolts. The lock can be inverted if the existing auxiliary lock obstructs installation
Minimum stile requirement:	5" (127 mm)
Door handing:	Factory-handed left; field reversible
Numeric pushbuttons:	Vandal resistant, 5 button, anodized aluminum, mechanical
Weight:	4.5 lbs. (2 kg)
Strike:	TS strike plate; DB (Deadbolt) strike box
Latch:	1/2" (13 mm) throw latch, floating or flat face plate
Backset:	2 3/4" (70 mm) or 2 3/8" (60 mm) backset
Door thickness:	1 3/8" (35 mm) to 2 1/4" (57 mm), wood or metal
Finishes:	60 Gold Tone, 67 Almond, 85 Black or 86 Gray powder paint
Control:	Combination change tool

Lock Operation

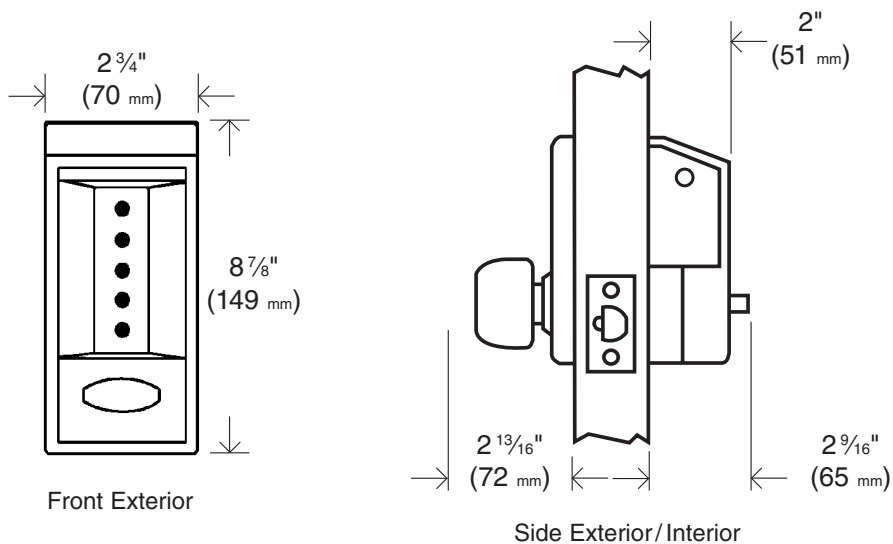
Combination code:	One code per lock made of any combination of one to five numbers (pressed individually or simultaneously)
Code:	Thousands of possible combinations

Certification and Testing

Fire rating:	Three-hour UL/ULC Fire rating for "A" label doors
---------------------	---

Simplex® 6200 Series

Light Commercial/Residential Locks



- | | |
|--|--|
| Model 6204

<ul style="list-style-type: none"> • Combination entry • 1/2" (13 mm) throw floating face plate • Backset 2 3/4" (70 mm) • Primary Lock | Model 6214

<ul style="list-style-type: none"> • Combination entry • 1/2" (13 mm) throw flat face plate • Backset 2 3/4" (70 mm) • Primary Lock |
| Model 6218

<ul style="list-style-type: none"> • Combination entry • 1/2" (13 mm) throw flat face plate • Backset 2 3/8" (60 mm) • Primary Lock | |

Example

6 2 0 4 - 6 0 - 4 1

6 2
Model

Finish

Packaging

Build the model number with the desired options

Model	Finishes	Packaging
6204 Combination entry 1/2" (13 mm) throw, floating face plate Backset 2 3/4" (70 mm) - UL/ULC 3-hour fire rating for "A" labeled doors Primary lock	60 Gold Tone 67 Almond 85 Black 86 Grey	41 1 per box Locks shipped 5 per case
6214 Combination entry 1/2" (13 mm) throw, flat face plate Backset 2 3/4" (70 mm) Primary lock		
6218 Combination entry 1/2" (13 mm) throw, flat face plate Backset 2 3/8" (60 mm) Primary lock		

Items supplied with the lock:

- Installation instructions
- Full-scale template
- Spanner wrench with combination change tool
- Standard strike and strike box